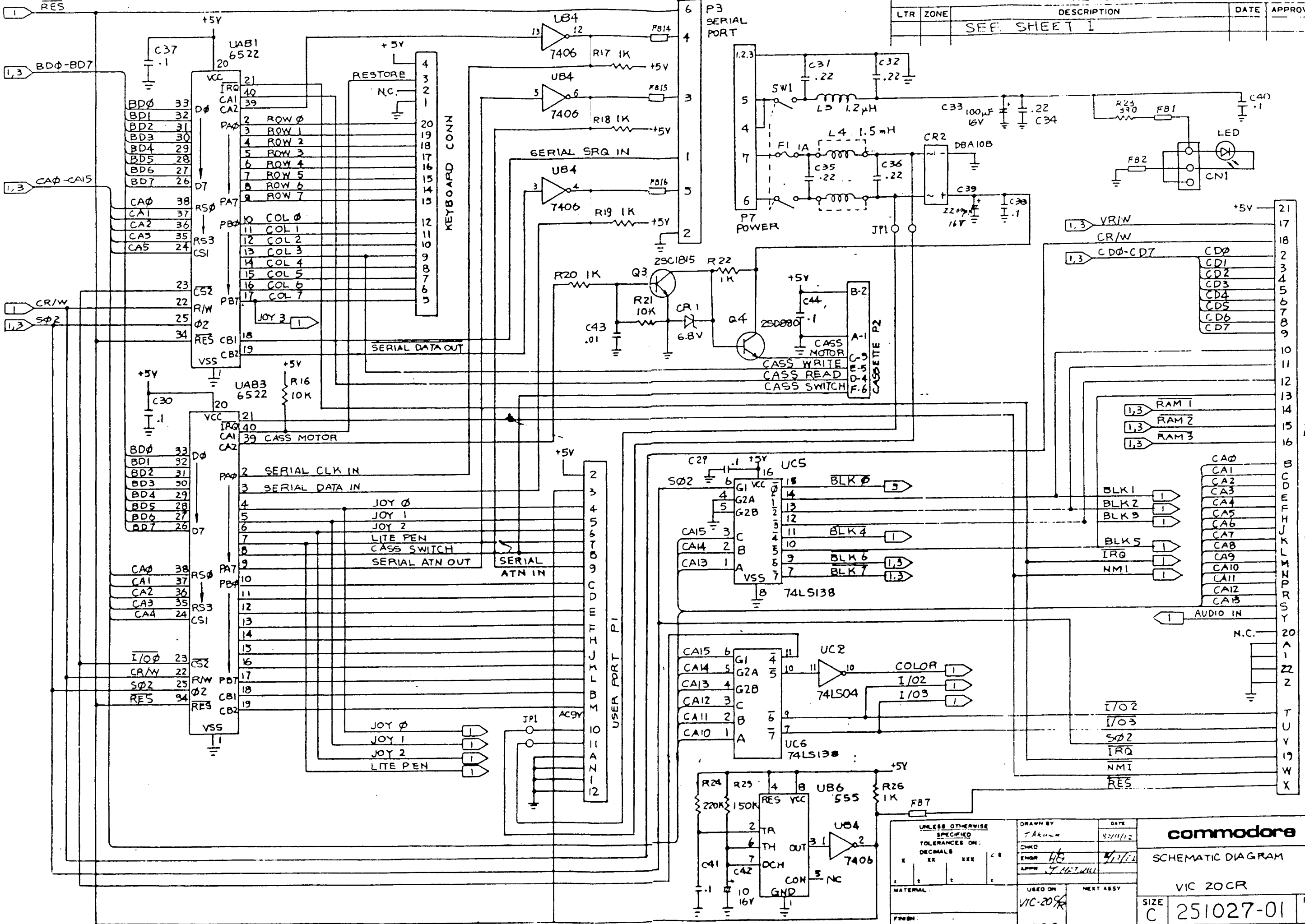


REV	DESCRIPTION	DATE	APPROV
B	REVISED PER ECO 82001		
C	REVISED PER ECO 82001C		
D	REVISED PER ECO 830151		

UNLESS OTHERWISE SPECIFIED TOLERANCES ON DECIMALS		DRAWN BY	DATE
XX	XXX	7/10/85	7/10/85
MATERIAL		USED ON	NEXT ASSY
FINISH		VIC-20CR	NTSC
commodore			SCALE NONE SHEET 1 OF 3
VIC 20CR			SIZE C 251027 01 REV 0
SHEET 1 OF 3			

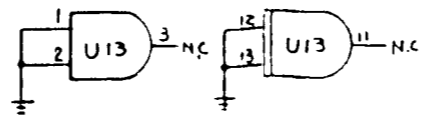
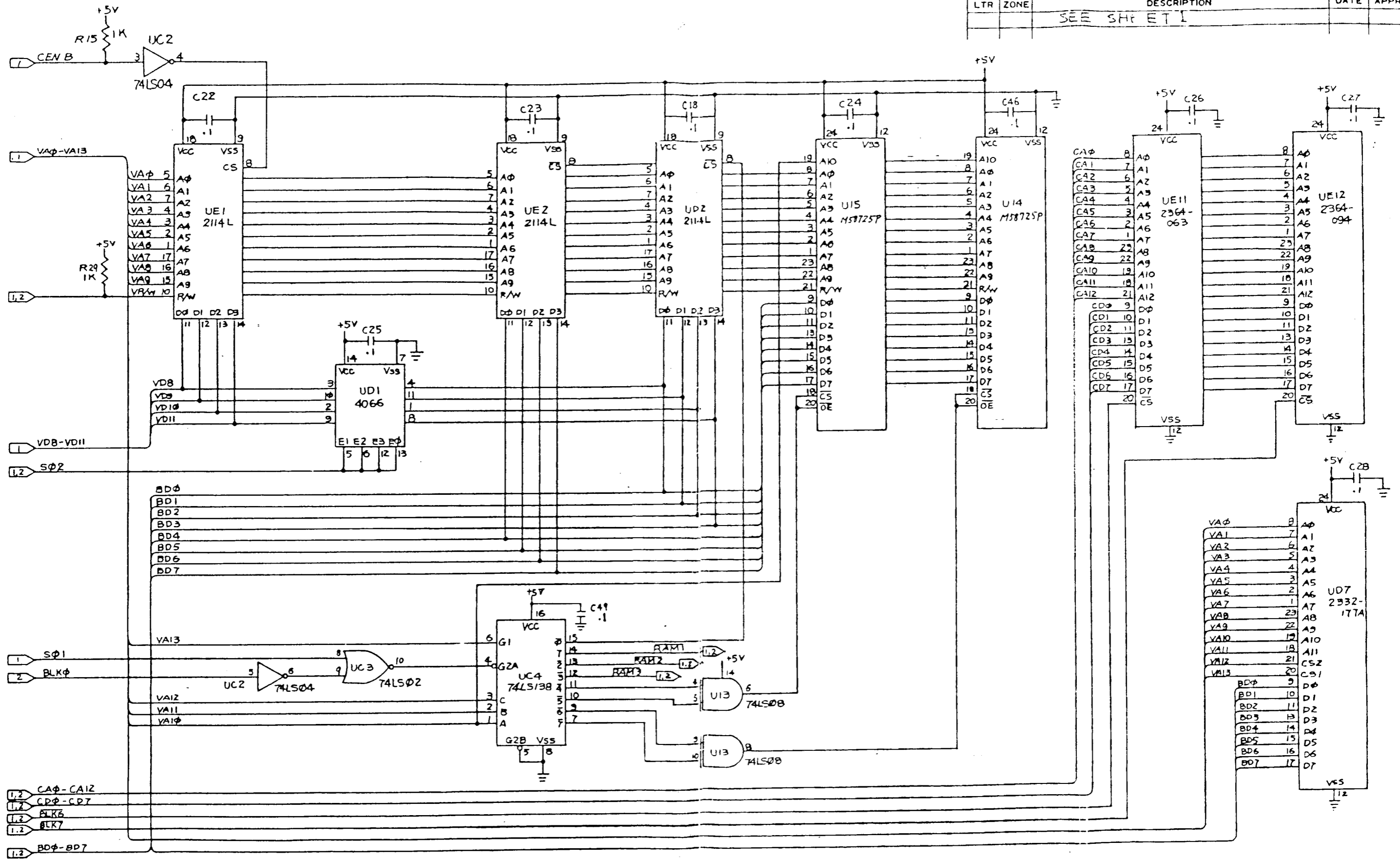
REVISIONS		DESCRIPTION	DATE	APPROVED
LTR	ZONE	SEE SHEET 1		



UNLESS OTHERWISE SPECIFIED TOLERANCES ON: I XX III C S		DRAWN BY: T. Akawa	DATE: 8/11/82	commodore
		CHKD: HES	4/12/82	
		ENGR: HES		VIC 20CR
		APPR: T. Akawa		SIZE: C 251027-01
MATERIAL:		USED ON: VIC-20	NEXT ASSY:	REV: D
FROM:		NTSC		SCALE: NONE SHEET 2 OF 3

REVISIONS

LTR	ZONE	DESCRIPTION	DATE	APPROVE
		SEE SHEET 1		



UNLESS OTHERWISE SPECIFIED TOLERANCES ON DECIMALS		DRAWN BY: <i>S. Ak...</i> CHKD: ENGR: <i>JE</i> APPR: <i>T. H. L...</i>	DATE: 09/11/82 11/2/82
MATERIAL:		USED ON: VIC 20CR	NEXT ASSY:
PART NO.:		NTSC	

commodore

SCHEMATIC DIAGRAM

VIC 20CR

SIZE C	251027-01	REV D
SCALE NONE		SHEET 3 OF 3