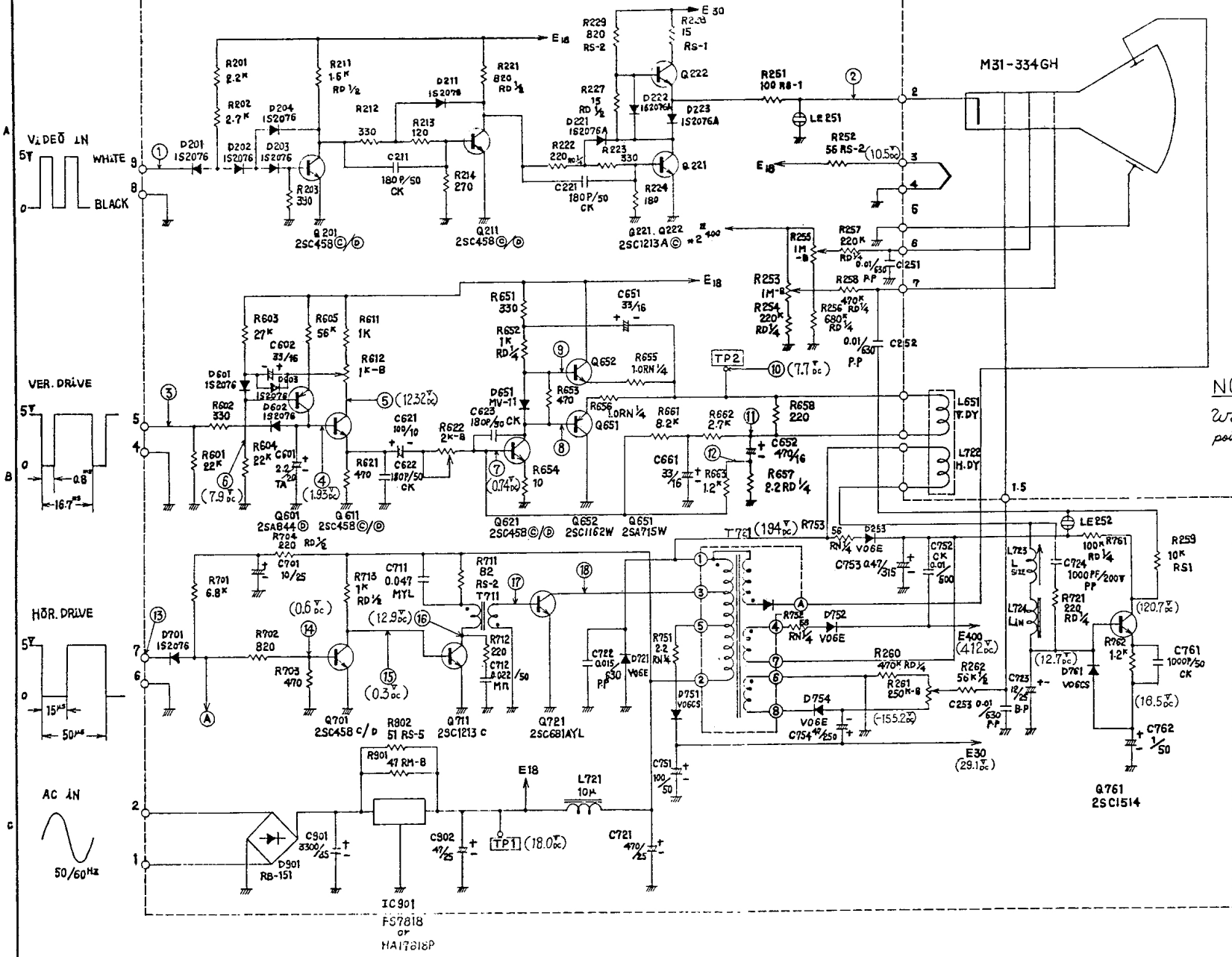
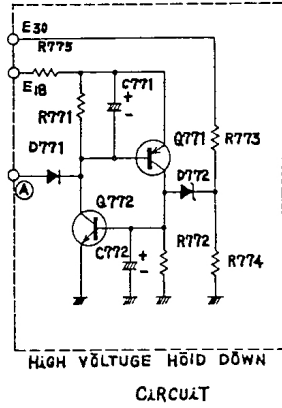


BASIC CIRCUIT DIAGRAM (CDU-B80-CMD12)

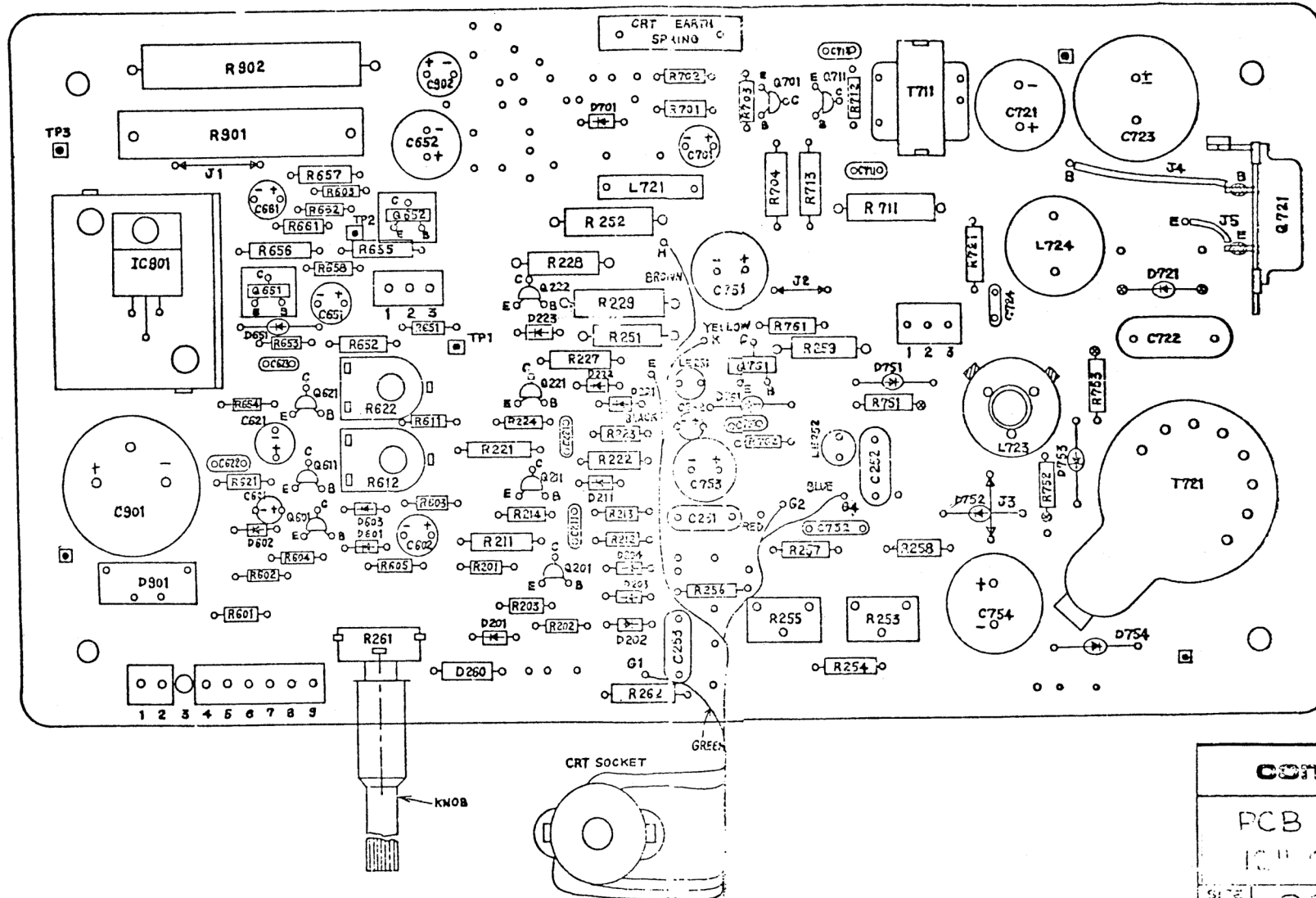


NOTES
Waveforms are measured at the points indicated with (X)



commodore	PCB SCHEMATIC	12" CRT DISPLAY	REV	1
			SIZE	B
SCALE NONE		SHEET	1	OF 1

PARTS ARRANGEMENT DIAGRAM



Commodore		
PCB ASSEMBLY ICM CRT DISPLAY		
SIZE B	321449	REV 1
SCALE	SHEET	OF