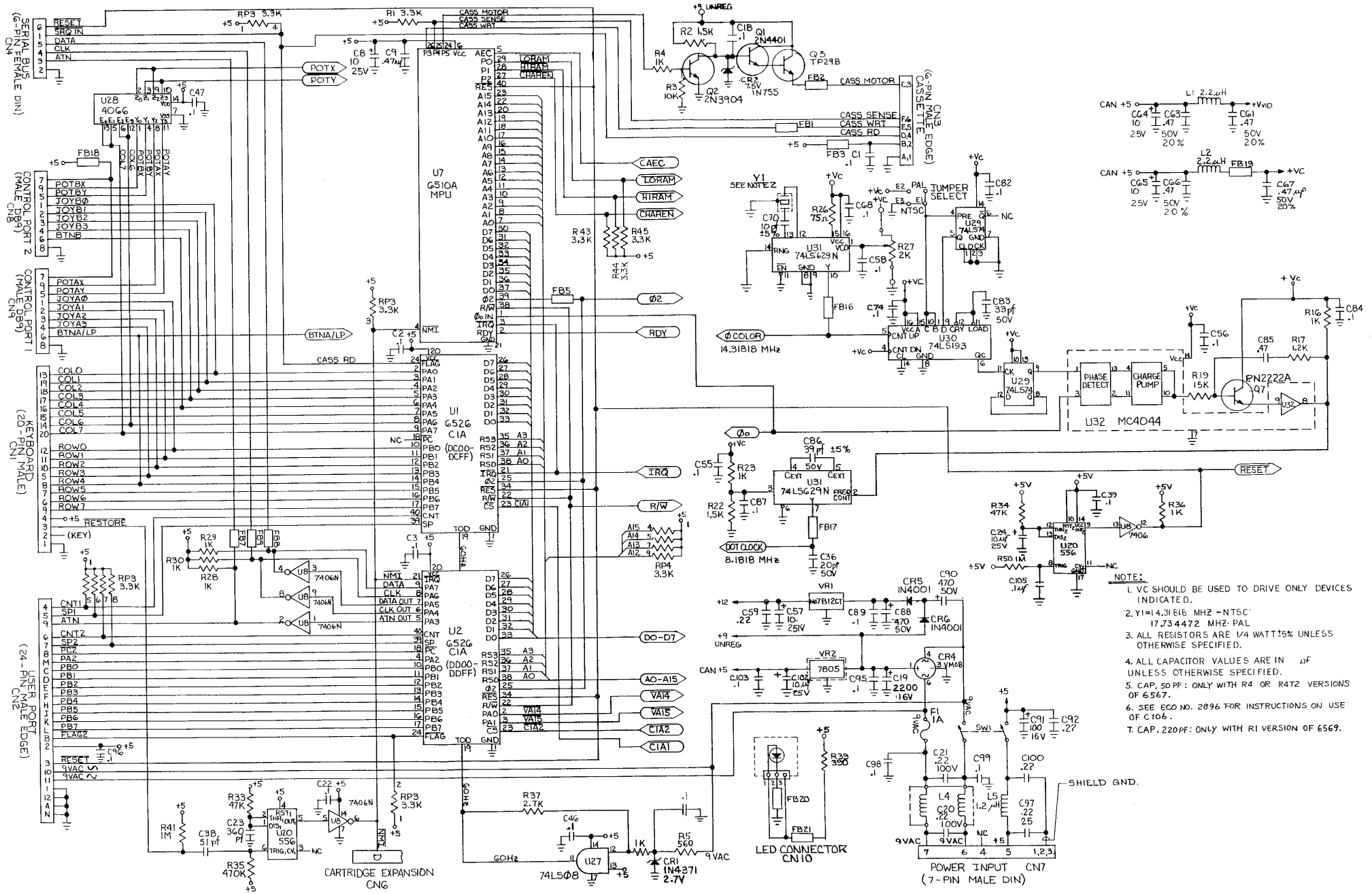


SCHEMATIC #326106 SHEET 1 OF 2



SCHEMATIC #326106 SHEET 2 OF 2

