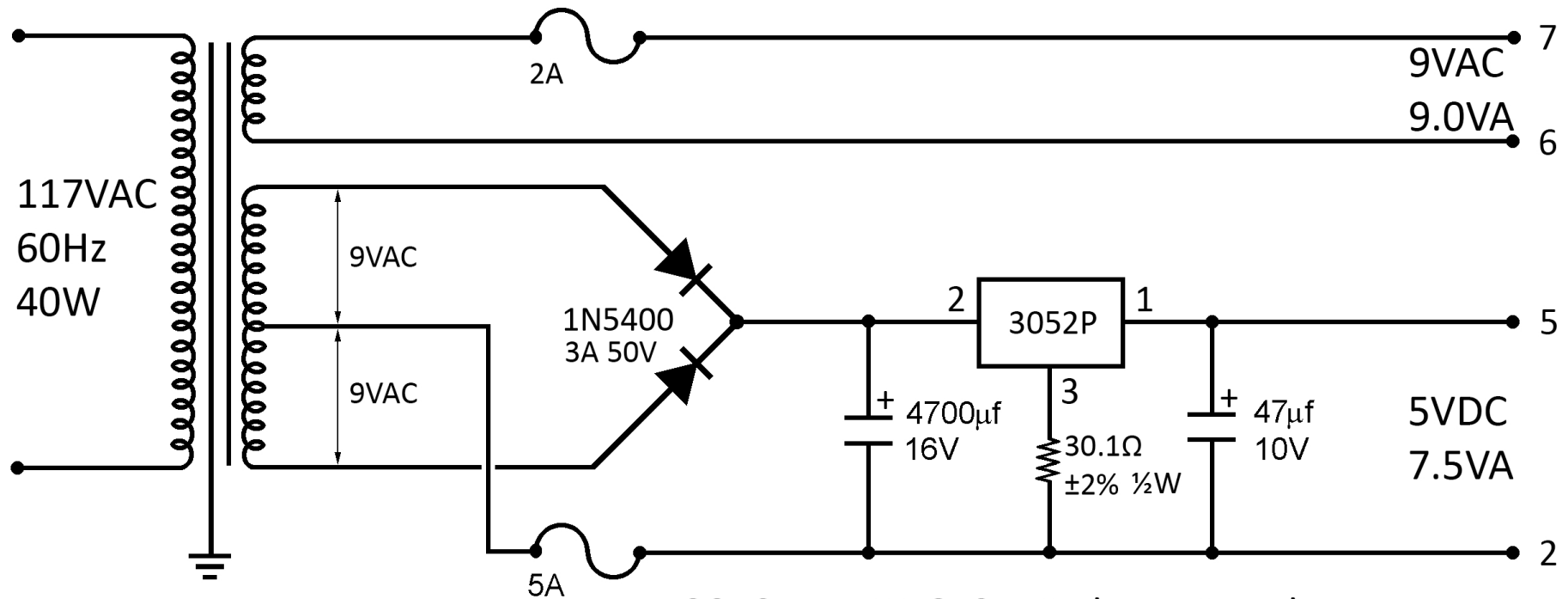


commodore® C64 Power Supply

PART NO. 902503-02



3052P: +5VDC, 2A, Voltage Regulator
NTE 1934 is an equivalent.

DIN 45329/IEC 10
7-pin, 45 deg., 270 deg.

