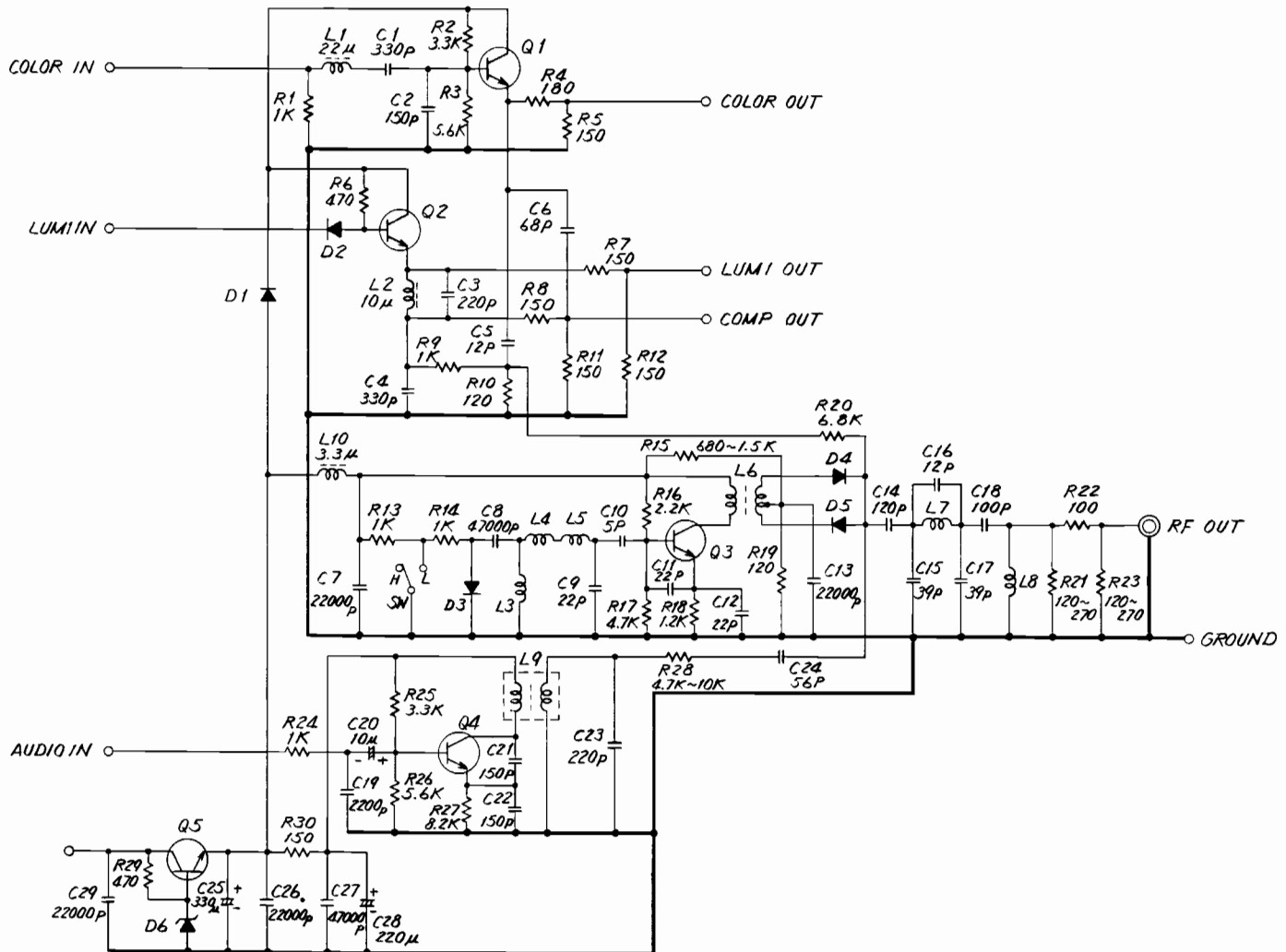


MODULATOR SCHEMATIC #251696



NOTES

1. D1, D2 : MA151K OR EQUIVALENT
2. D3 : MA57 OR EQUIVALENT
3. D4, D5 : 1SS198 OR EQUIVALENT
4. D6 : HZ-7A1 OR EQUIVALENT
5. Q1, Q2 : 2SC2405 OR EQUIVALENT
6. Q3, Q4 : 2SC2778 OR EQUIVALENT
7. Q5 : 2SC2120Y OR EQUIVALENT
8. COMPONENT PARTS VALUE : R= Ω , C=F, L=H