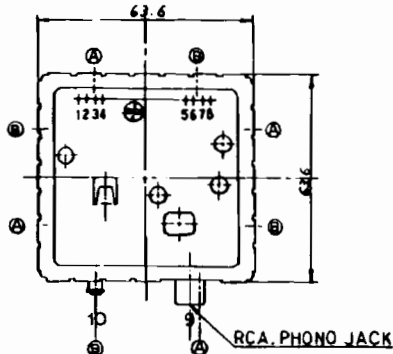
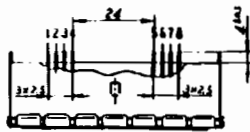
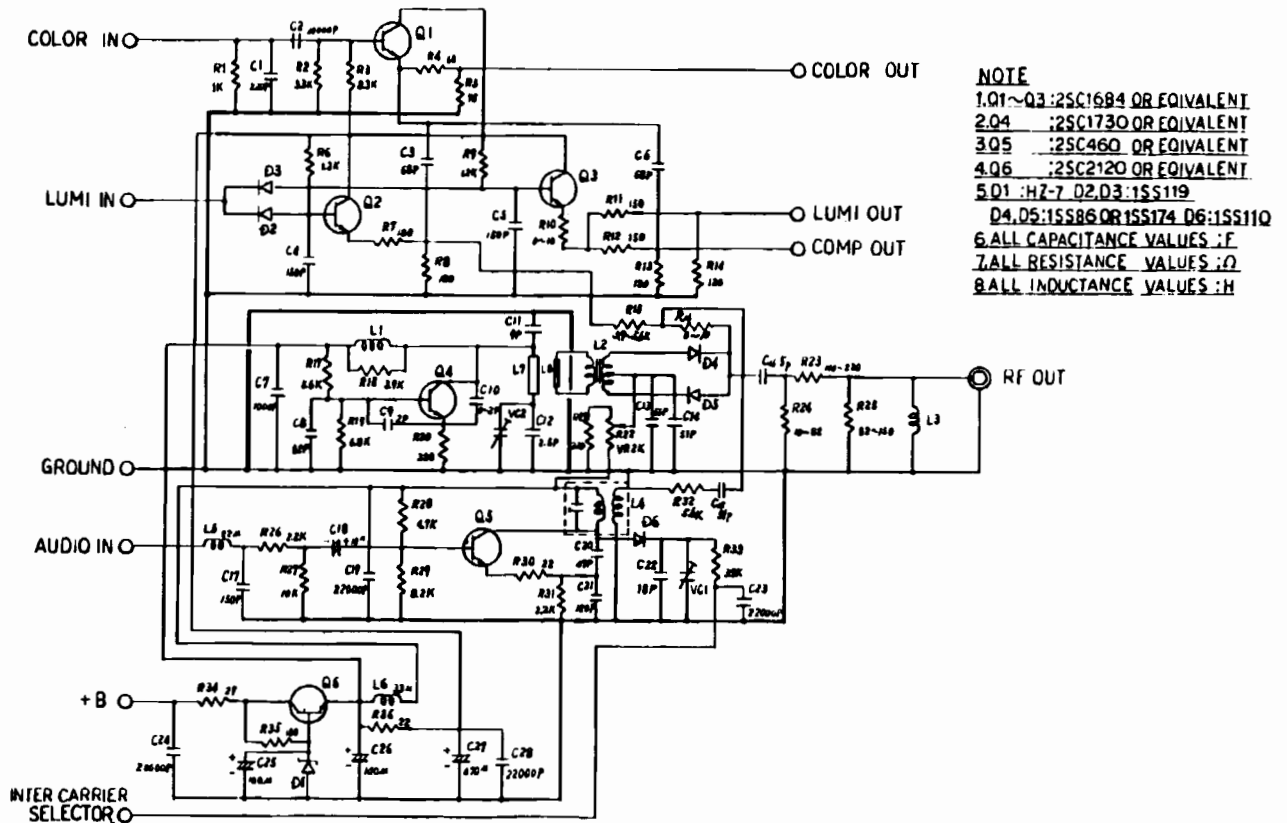
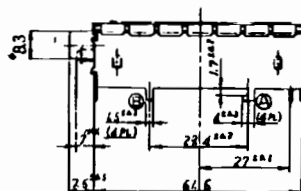
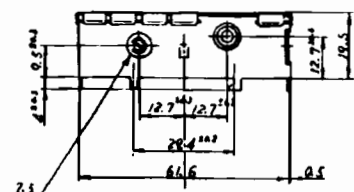
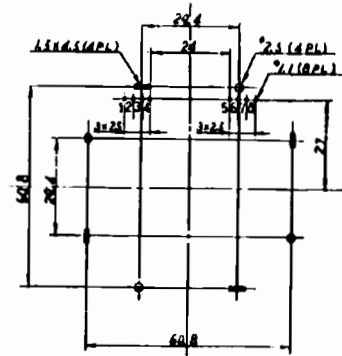


# MODULATOR SCHEMATIC #251025



NO	TERMINALS
1	+B
2	SYNC + LUM SIG. INPUT
3	COLOR SIG. INPUT
4	AUDIO SIG. INPUT
5	COMP. SIG. OUTPUT
6	SYNC + LUM SIG. OUTPUT
7	COLOR SIG. OUTPUT
8	INTER CARRIER SELECTOR
9	RF. OUTPUT
10	CHANNEL TRIMMER



**NOTE**  
 1. RECOMMENDED PCB HOLE CENTERS (COMPONENT SIDE)  
 2. ALL DIMENSION ARE IN MILLIMETERS  
 3. NO. 8 TERMINAL SHORT = G.PAL  
 OPEN = L.PAL